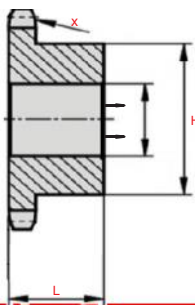
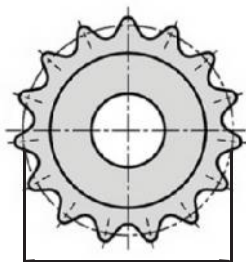


KORAK 3/8" (9.525mm) dmin fabrički izbusena rupa
 06B-1 dmax moguće je naknadno proširiti rupu do Dmax

broj zuba	PD (mm)	d min (mm)	d max (mm)	H (mm)	L (mm)	masa (kg)	jednoredni eur/kom
06B-1/08	24.89	8	8	15	22	0.03	2.18
06B-1/09	27.85	8	8	18	22	0.04	2.18
06B-1/10	30.82	8	8	20	22	0.06	2.18
06B-1/11	33.80	8	8	22	25	0.08	2.24
06B-1/12	36.80	8	10	25	25	0.1	2.31
06B-1/13	39.80	10	12	28	25	0.12	2.42
06B-1/14	42.80	10	15	31	25	0.15	2.53
06B-1/15	45.81	10	18	40	25	0.19	2.64
06B-1/16	48.82	10	20	37	28	0.24	2.82
06B-1/17	51.83	10	23	40	28	0.29	3.18
06B-1/18	54.85	10	26	43	28	0.33	3.21
06B-1/19	57.87	10	28	45	28	0.37	3.39
06B-1/20	60.89	10	30	46	28	0.39	3.56
06B-1/21	63.91	12	35	48	28	0.42	3.74
06B-1/22	66.93	12	35	50	28	0.46	3.92
06B-1/23	69.95	12	35	52	28	0.50	4.14
06B-1/24	72.97	12	40	54	28	0.54	4.31
06B-1/25	76.00	12	40	57	28	0.60	4.55

06B-1/26	79.02	12	40	60	28	0.67	4.77
06B-1/27	82.04	12	40	60	28	0.68	4.99
06B-1/28	85.07	12	40	60	28	0.70	5.24
06B-1/29	88.09	12	40	60	28	0.72	5.46
06B-1/30	91.12	12	43	60	28	0.77	5.70
06B-1/31	94.15	12	43	65	30	0.88	5.92
06B-1/32	97.17	14	43	65	30	0.90	6.14
06B-1/33	100.20	14	43	65	30	0.91	6.38
06B-1/34	103.23	14	43	65	30	0.94	6.60
06B-1/35	106.26	14	48	65	30	0.95	6.84
06B-1/36	109.29	14	48	70	30	1.07	7.06
06B-1/37	112.32	14	48	70	30	1.09	7.30
06B-1/38	115.35	14	48	70	30	1.10	7.52
06B-1/39	118.37	14	48	70	30	1.12	7.77
06B-1/40	121.40	14	48	70	30	1.16	7.99
06B-1/41	124.43	14	48	78	32	1.28	8.23
06B-1/42	127.46	14	48	78	32	1.36	8.51
06B-1/43	130.49	14	48	78	32	1.44	8.73
06B-1/44	133.52	14	48	78	32	1.52	9.09
06B-1/45	136.55	14	48	78	32	1.40	9.48
06B-1/46	139.58	14	48	78	32	1.68	10.05
06B-1/47	142.61	14	48	78	32	1.76	10.91
06B-1/48	145.64	14	48	78	32	1.84	12.08
06B-1/49	148.67	14	48	78	32	1.92	13.50
06B-1/50	151.69	14	48	78	32	2.06	15.51
06B-1/54							17
06B-1/60							18
06B-1/64							21
06B-1/70							26
06B-1/72							28
06B-1/76							32

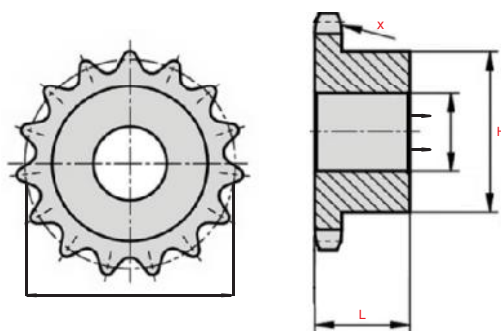
06B-1/80	35
06B-1/84	42
06B-1/85	45
06B-1/90	49
06B-1/92	52
06B-1/95	57



08B-1		1/2" (12,7 mm)					
broj zuba	PD (mr d min (mr d max (mm)	H (mm)	L (mm)	masa (kg)	jednoredni eur/kom		
08B-1/08	33.18	10	10	20	25	0.06	2.18
08B-1/09	37.13	10	10	24	25	0.09	2.18
08B-1/10	41.10	10	11	26	25	0.12	2.31
08B-1/11	45.07	10	13	29	25	0.15	2.46
08B-1/12	49.07	10	17	33	28	0.21	2.71
08B-1/13	53.06	10	20	37	28	0.27	2.88
08B-1/14	57.07	10	24	41	28	0.33	3.06
08B-1/15	61.09	10	28	45	28	0.39	3.34
08B-1/16	65.10	12	30	50	28	0.46	3.56
08B-1/17	69.11	12	35	52	28	0.51	3.81
08B-1/18	73.14	12	40	56	28	0.59	4.03
08B-1/19	77.16	12	40	60	28	0.67	4.31
08B-1/20	81.19	12	40	64	28	0.77	4.61
08B-1/21	85.22	12	40	68	28	0.85	4.95
08B-1/22	89.24	12	40	70	28	0.92	5.46

08B-1/23	93.27	14	40	70	28	0.95	5.74
08B-1/24	97.29	14	40	70	28	0.98	6.03
08B-1/25	101.33	14	40	70	28	1.01	6.31
08B-1/26	105.36	16	46	70	30	1.09	6.67
08B-1/27	109.40	16	46	70	30	1.13	7.02
08B-1/28	113.42	16	46	70	30	1.17	7.35
08B-1/29	117.46	16	46	80	30	1.41	7.71
08B-1/30	121.50	16	46	80	30	1.4	8.05
08B-1/31	125.54	16	46	90	30	1.75	8.45
08B-1/32	129.56	16	46	90	30	1.79	8.91
08B-1/33	133.60	16	46	90	30	1.83	9.37
08B-1/34	137.64	16	46	90	30	1.87	9.77
08B-1/35	141.68	16	46	90	30	1.94	10.19
08B-1/36	145.72	16	50	90	40	2.21	10.91
08B-1/37	149.76	16	50	90	40	2.24	11.79
08B-1/38	153.80	16	50	90	40	2.33	12.65
08B-1/39	157.83	16	50	90	40	2.30	13.79
08B-1/40	161.87	16	50	90	40	2.44	14.94
08B-1/41	165.91	16	50	90	40	2.41	16.39
08B-1/42	169.95	16	50	90	40	2.38	17.07
08B-1/43	173.99	16	50	90	40	2.35	18.11
08B-1/44	178.03	16	50	90	40	2.32	18.96
08B-1/45	182.07	16	50	90	40	2.30	19.82
08B-1/46	186.10	16	50	90	40	2.45	20.7
08B-1/47	190.14	16	50	90	40	2.60	22.13
08B-1/48	194.18	16	64	90	40	2.85	23.56
08B-1/49	198.22	16	64	90	40	2.88	24.01
08B-1/50	202.26	16	64	90	40	2.92	24.71
08B-1/54	218.43	16	64	90	40	3.00	28.73
08B-1/57	230.54	16	50	90	40	3.13	31.61
08B-1/60							35.93

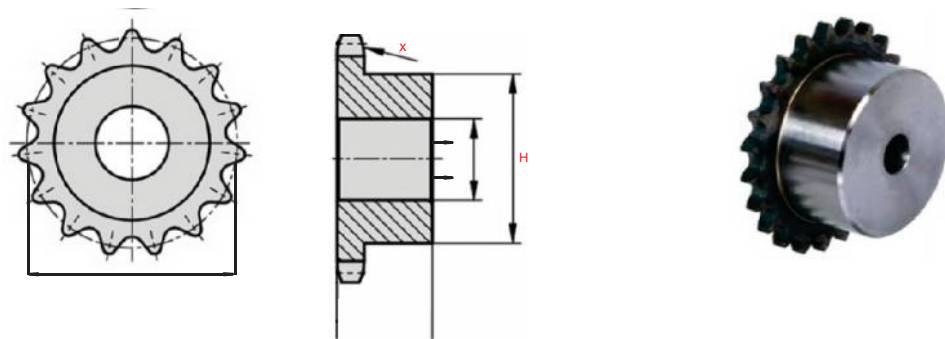
08B-1/64	41.91
08B-1/70	53.17
08B-1/72	56.03
08B-1/76	59.77
08B-1/80	64.37
08B-1/84	71.85
08B-1/95	95.56
08B-1/96	100.00




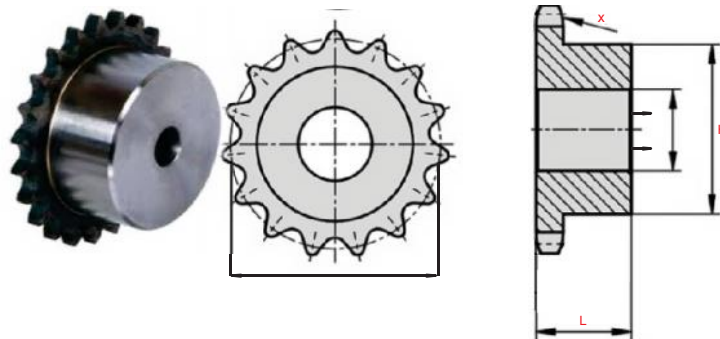
10B-1		5/8" (15,875mm)					
broj zuba	PD (mrd min (mm)	d max (mH (mm)	L (mm)		masa (kg)	jednoredni eur/kom	
10B-1/08	41.48	10	11	25	25	0.12	2.64
10B-1/09	46.42	10	15	30	25	0.17	2.64
10B-1/10	51.37	10	18	35	25	0.23	2.64
10B-1/11	56.34	12	21	37	30	0.30	2.93
10B-1/12	61.34	12	25	42	30	0.38	3.21
10B-1/13	66.32	12	28	47	30	0.47	3.56
10B-1/14	71.34	12	32	52	30	0.57	3.98

10B-1/15	76.36	12	35	57	30	0.69	4.44
10B-1/16	81.37	12	40	60	30	0.77	5.08
10B-1/17	86.39	12	40	60	30	0.82	5.54
10B-1/18	91.42	14	50	70	30	1.02	6.25
10B-1/19	96.45	14	50	70	30	1.06	6.78
10B-1/20	101.49	14	50	75	30	1.22	7.19
10B-1/21	106.52	16	50	75	30	1.26	7.59
10B-1/22	111.55	16	50	80	30	1.42	8.23
10B-1/23	115.58	16	50	80	30	1.47	8.76
10B-1/24	121.62	16	50	80	30	1.55	9.35
10B-1/25	125.66	16	50	80	30	1.62	9.94
10B-1/26	131.70	20	55	85	35	2.00	10.52
10B-1/27	136.75	20	55	85	35	2.05	12.81
10B-1/28	141.78	20	55	90	35	2.27	13.01
10B-1/29	146.83	20	55	90	35	2.35	14.15
10B-1/30	151.87	20	58	90	35	2.42	15.01
10B-1/31	156.92	20	58	95	35	2.66	15.77
10B-1/32	161.95	20	58	95	35	2.74	16.65
10B-1/33	167.00	20	58	95	35	2.80	17.53
10B-1/34	172.05	20	58	95	35	2.90	18.52
10B-1/35	177.10	20	58	95	35	3.03	19.58
10B-1/36	182.15	20	63	100	35	3.27	21.32
10B-1/37	187.20	20	63	100	35	3.39	22.37
10B-1/38	192.24	20	63	100	35	3.49	23.39
10B-1/39	197.29	20	63	100	35	3.58	24.6
10B-1/40	202.34	20	63	100	35	3.69	25.87
10B-1/41	207.39	20	57	100	40	3.78	27.17
10B-1/42	212.44	20	57	100	40	3.87	28.34
10B-1/43	217.49	20	57	100	40	3.96	29.81
10B-1/44	222.53	20	57	100	40	4.05	31.15
10B-1/45	227.58	20	55	100	40	4.18	32.14

10B-1/46	232.63	20	64	100	40	4.34	33.55
10B-1/47	237.69	20	64	100	40	4.50	34.76
10B-1/48	242.73	20	64	100	40	4.66	35.95
10B-1/49	247.78	20	64	100	40	4.82	37.41
10B-1/50							38.85
10B-1/51							40.91
10B-1/52							42.66
10B-1/53							44.42
10B-1/54							46.16
10B-1/55							47.92
10B-1/56							49.68
10B-1/57							51.13
10B-1/58							52.6
10B-1/59							54.05
10B-1/60							55.51
10B-1/70							64.28
10B-1/72							70.11
10B-1/76							80.63
10B-1/80							90.57
10B-1/84							101.09
10B-1/95							126.81
10B-1/96							135.56



12B-1		3/4" (19,05mm)						
broj zuba	PD (mrd min (mrd max (mm)	H (mm)	L (mm)	masa (kg)	jednoredni eur/kom			
12B-1/08	49.78	12	16	31	30	0.22	3.74	4.488
12B-1/09	55.70	12	20	37	30	0.31	3.74	4.488
12B-1/10	61.64	12	23	42	30	0.39	4.03	4.836
12B-1/11	67.61	14	28	46	35	0.54	4.60	5.52
12B-1/12	73.60	14	32	52	35	0.68	5.46	6.552
12B-1/13	79.59	14	36	58	35	0.84	6.31	7.572
12B-1/14	85.61	14	40	64	35	1.01	7.19	8.628
12B-1/15	91.63	14	44	70	35	1.19	8.10	9.72
12B-1/16	97.65	16	48	75	35	1.36	9.20	11.04
12B-1/17	103.67	16	55	80	35	1.56	10.19	12.228
12B-1/18	109.71	16	55	80	35	1.73	11.00	13.2
12B-1/19	115.75	16	55	80	35	1.73	12.12	14.544
12B-1/20	121.78	16	55	80	35	1.83	13.11	15.732
12B-1/21	127.82	20	55	90	40	2.37	14.00	16.8
12B-1/22	133.86	20	55	90	40	2.48	14.83	17.796
12B-1/23	139.90	20	55	90	40	2.58	15.00	18
12B-1/24	145.94	20	55	90	40	2.70	16.00	19.2
12B-1/25	152.00	20	55	90	40	2.81	17.00	20.4
12B-1/26	158.04	20	58	95	40	3.11	19.00	22.8
12B-1/27	164.09	20	58	95	40	3.24	21.00	25.2
12B-1/28	170.13	20	58	95	40	3.37	22.00	26.4
12B-1/29	176.19	20	60	95	40	3.49	22.50	27
12B-1/30	182.25	20	60	95	40	3.66	24.12	28.944
12B-1/31	188.31	20	64	100	40	3.96	24.55	29.46
12B-1/32	194.35	20	64	100	40	4.10	25.74	30.888



16B-1 1" 2,54mm

broj zuba	PD (mrd min (mrdmax (mm)	H (mm)	L (mm)	masa (kg)	jednoredni eur/kom
16B-1/08	66.37 16 22	42	35	0.50	5.70 6.84
16B-1/09	74.27 16 28	50	35	0.68	6.20 7.44
16B-1/10	82.19 16 34	55	35	0.87	7.00 8.4
16B-1/11	90.14 16 38	61	40	1.18	8.14 9.768
16B-1/12	98.14 16 44	69	40	1.48	10.05 12.06
16B-1/13	106.12 16 48	78	40	1.82	11.81 14.172
16B-1/14	114.15 16 53	84	40	2.14	13.18 15.816
16B-1/15	122.17 16 58	92	40	2.52	14.50 17.4
16B-1/16	130.20 20 64	100	45	3.19	16.50 19.8
16B-1/17	138.22 20 70	100	45	3.41	18.57 22.284
16B-1/18	146.28 20 70	100	45	3.62	20.35 24.42
16B-1/19	154.33 20 70	100	45	3.86	22.13 26.556
16B-1/20	162.38 20 70	100	45	4.10	24.42 29.304
16B-1/21	170.43 20 70	110	50	5.09	26.55 31.86
16B-1/22	178.48 20 70	110	50	5.35	28.62 34.344
16B-1/23	186.53 20 70	110	50	5.66	31.09 37.308
16B-1/24	194.59 20 70	110	50	5.94	33.11 39.732

