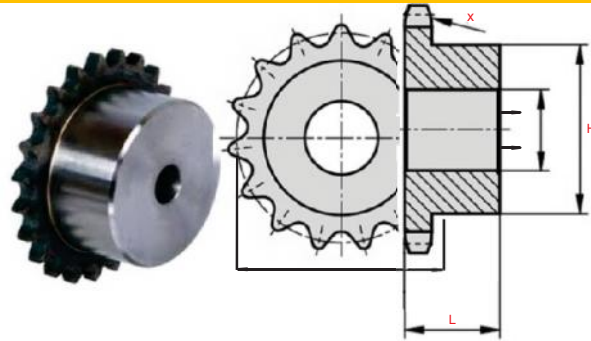


Lan anike možete poručiti online klikom na

[www.remenjelageri.rs](http://www.remenjelageri.rs)

cene su bez pdv-a

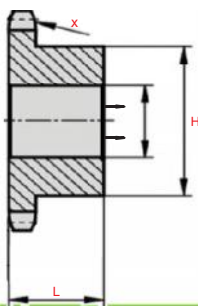
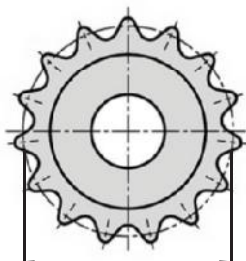


KORAK 3/8" (9.525mm) dmin fabrički izbušena rupa  
06B-1 dmax moguće je naknadno proširiti rupu do Dmax

broj zuba	PD (mrd min)	rdmax (mm)	H (mm)	L (mm)	masa (kg)	jednoredni eur/kom	
06B-1/08	24.89	8	8	15	22	0.03	<b>2.18</b>
06B-1/09	27.85	8	8	18	22	0.04	<b>2.18</b>
06B-1/10	30.82	8	8	20	22	0.06	<b>2.18</b>
06B-1/11	33.80	8	8	22	25	0.08	<b>2.24</b>
06B-1/12	36.80	8	10	25	25	0.1	<b>2.31</b>
06B-1/13	39.80	10	12	28	25	0.12	<b>2.42</b>
06B-1/14	42.80	10	15	31	25	0.15	<b>2.53</b>
06B-1/15	45.81	10	18	40	25	0.19	<b>2.64</b>
06B-1/16	48.82	10	20	37	28	0.24	<b>2.82</b>
06B-1/17	51.83	10	23	40	28	0.29	<b>3.18</b>
06B-1/18	54.85	10	26	43	28	0.33	<b>3.21</b>
06B-1/19	57.87	10	28	45	28	0.37	<b>3.39</b>
06B-1/20	60.89	10	30	46	28	0.39	<b>3.56</b>

06B-1/21	63.91	12	35	48	28	0.42	<b>3.74</b>
06B-1/22	66.93	12	35	50	28	0.46	<b>3.92</b>
06B-1/23	69.95	12	35	52	28	0.50	<b>4.14</b>
06B-1/24	72.97	12	40	54	28	0.54	<b>4.31</b>
06B-1/25	76.00	12	40	57	28	0.60	<b>4.55</b>
06B-1/26	79.02	12	40	60	28	0.67	<b>4.77</b>
06B-1/27	82.04	12	40	60	28	0.68	<b>4.99</b>
06B-1/28	85.07	12	40	60	28	0.70	<b>5.24</b>
06B-1/29	88.09	12	40	60	28	0.72	<b>5.46</b>
06B-1/30	91.12	12	43	60	28	0.77	<b>5.70</b>
06B-1/31	94.15	12	43	65	30	0.88	<b>5.92</b>
06B-1/32	97.17	14	43	65	30	0.90	<b>6.14</b>
06B-1/33	100.20	14	43	65	30	0.91	<b>6.38</b>
06B-1/34	103.23	14	43	65	30	0.94	<b>6.60</b>
06B-1/35	106.26	14	48	65	30	0.95	<b>6.84</b>
06B-1/36	109.29	14	48	70	30	1.07	<b>7.06</b>
06B-1/37	112.32	14	48	70	30	1.09	<b>7.30</b>
06B-1/38	115.35	14	48	70	30	1.10	<b>7.52</b>
06B-1/39	118.37	14	48	70	30	1.12	<b>7.77</b>
06B-1/40	121.40	14	48	70	30	1.16	<b>7.99</b>
06B-1/41	124.43	14	48	78	32	1.28	<b>8.23</b>
06B-1/42	127.46	14	48	78	32	1.36	<b>8.51</b>
06B-1/43	130.49	14	48	78	32	1.44	<b>8.73</b>
06B-1/44	133.52	14	48	78	32	1.52	<b>9.09</b>
06B-1/45	136.55	14	48	78	32	1.40	<b>9.48</b>
06B-1/46	139.58	14	48	78	32	1.68	<b>10.05</b>
06B-1/47	142.61	14	48	78	32	1.76	<b>10.91</b>
06B-1/48	145.64	14	48	78	32	1.84	<b>12.08</b>
06B-1/49	148.67	14	48	78	32	1.92	<b>13.50</b>
06B-1/50	151.69	14	48	78	32	2.06	<b>15.51</b>

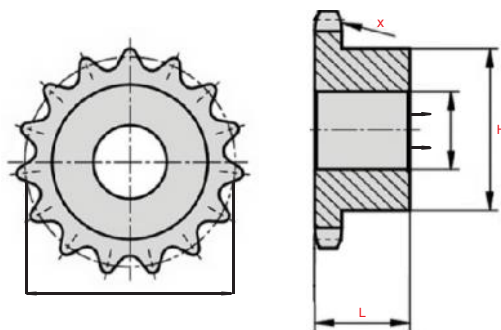
06B-1/54	17
06B-1/60	18
06B-1/64	21
06B-1/70	26
06B-1/72	28
06B-1/76	32
06B-1/80	35
06B-1/84	42
06B-1/85	45
06B-1/90	49
06B-1/92	52
06B-1/95	57



08B-1		1/2" (12,7 mm)					
broj zuba	PD (mrd min	(mrd max (mm)	H (mm)	L (mm)	masa (kg)	jednoredni eur/kom	
08B-1/08	33.18	10	10	20	25	0.06	<b>2.18</b>
08B-1/09	37.13	10	10	24	25	0.09	<b>2.18</b>
08B-1/10	41.10	10	11	26	25	0.12	<b>2.31</b>
08B-1/11	45.07	10	13	29	25	0.15	<b>2.46</b>
08B-1/12	49.07	10	17	33	28	0.21	<b>2.71</b>
08B-1/13	53.06	10	20	37	28	0.27	<b>2.88</b>
08B-1/14	57.07	10	24	41	28	0.33	<b>3.06</b>
08B-1/15	61.09	10	28	45	28	0.39	<b>3.34</b>
08B-1/16	65.10	12	30	50	28	0.46	<b>3.56</b>

08B-1/17	69.11	12	35	52	28	0.51	<b>3.81</b>
08B-1/18	73.14	12	40	56	28	0.59	<b>4.03</b>
08B-1/19	77.16	12	40	60	28	0.67	<b>4.31</b>
08B-1/20	81.19	12	40	64	28	0.77	<b>4.61</b>
08B-1/21	85.22	12	40	68	28	0.85	<b>4.95</b>
08B-1/22	89.24	12	40	70	28	0.92	<b>5.46</b>
08B-1/23	93.27	14	40	70	28	0.95	<b>5.74</b>
08B-1/24	97.29	14	40	70	28	0.98	<b>6.03</b>
08B-1/25	101.33	14	40	70	28	1.01	<b>6.31</b>
08B-1/26	105.36	16	46	70	30	1.09	<b>6.67</b>
08B-1/27	109.40	16	46	70	30	1.13	<b>7.02</b>
08B-1/28	113.42	16	46	70	30	1.17	<b>7.35</b>
08B-1/29	117.46	16	46	80	30	1.41	<b>7.71</b>
08B-1/30	121.50	16	46	80	30	1.4	<b>8.05</b>
08B-1/31	125.54	16	46	90	30	1.75	<b>8.45</b>
08B-1/32	129.56	16	46	90	30	1.79	<b>8.91</b>
08B-1/33	133.60	16	46	90	30	1.83	<b>9.37</b>
08B-1/34	137.64	16	46	90	30	1.87	<b>9.77</b>
08B-1/35	141.68	16	46	90	30	1.94	<b>10.19</b>
08B-1/36	145.72	16	50	90	40	2.21	<b>10.91</b>
08B-1/37	149.76	16	50	90	40	2.24	<b>11.79</b>
08B-1/38	153.80	16	50	90	40	2.33	<b>12.65</b>
08B-1/39	157.83	16	50	90	40	2.30	<b>13.79</b>
08B-1/40	161.87	16	50	90	40	2.44	<b>14.94</b>
08B-1/41	165.91	16	50	90	40	2.41	<b>16.39</b>
08B-1/42	169.95	16	50	90	40	2.38	<b>17.07</b>
08B-1/43	173.99	16	50	90	40	2.35	<b>18.11</b>
08B-1/44	178.03	16	50	90	40	2.32	<b>18.96</b>
08B-1/45	182.07	16	50	90	40	2.30	<b>19.82</b>
08B-1/46	186.10	16	50	90	40	2.45	<b>20.7</b>
08B-1/47	190.14	16	50	90	40	2.60	<b>22.13</b>

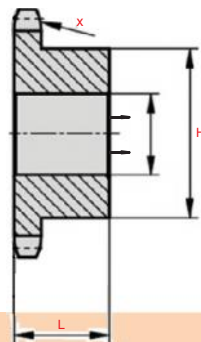
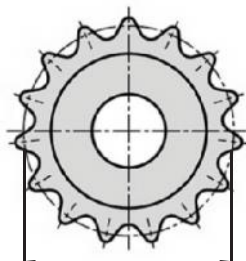
08B-1/48	194.18	16	64	90	40	2.85	<b>23.56</b>
08B-1/49	198.22	16	64	90	40	2.88	<b>24.01</b>
08B-1/50	202.26	16	64	90	40	2.92	<b>24.71</b>
08B-1/54	218.43	16	64	90	40	3.00	<b>28.73</b>
08B-1/57	230.54	16	50	90	40	3.13	<b>31.61</b>
08B-1/60							35.93
08B-1/64							41.91
08B-1/70							53.17
08B-1/72							56.03
08B-1/76							59.77
08B-1/80							64.37
08B-1/84							71.85
08B-1/95							95.56
08B-1/96							100.00



10B-1	5/8" (15,875mm)						
broj zuba	PD (m <sub>r</sub> d min (mm)	d max (mH (mm)	L (mm)	masa (kg)	jednoredni eur/kom		
10B-1/08	41.48	10	11	25	25	0.12	<b>2.64</b>

10B-1/09	46.42	10	15	30	25	0.17	<b>2.64</b>
10B-1/10	51.37	10	18	35	25	0.23	<b>2.64</b>
10B-1/11	56.34	12	21	37	30	0.30	<b>2.93</b>
10B-1/12	61.34	12	25	42	30	0.38	<b>3.21</b>
10B-1/13	66.32	12	28	47	30	0.47	<b>3.56</b>
10B-1/14	71.34	12	32	52	30	0.57	<b>3.98</b>
10B-1/15	76.36	12	35	57	30	0.69	<b>4.44</b>
10B-1/16	81.37	12	40	60	30	0.77	<b>5.08</b>
10B-1/17	86.39	12	40	60	30	0.82	<b>5.54</b>
10B-1/18	91.42	14	50	70	30	1.02	<b>6.25</b>
10B-1/19	96.45	14	50	70	30	1.06	<b>6.78</b>
10B-1/20	101.49	14	50	75	30	1.22	<b>7.19</b>
10B-1/21	106.52	16	50	75	30	1.26	<b>7.59</b>
10B-1/22	111.55	16	50	80	30	1.42	<b>8.23</b>
10B-1/23	115.58	16	50	80	30	1.47	<b>8.76</b>
10B-1/24	121.62	16	50	80	30	1.55	<b>9.35</b>
10B-1/25	125.66	16	50	80	30	1.62	<b>9.94</b>
10B-1/26	131.70	20	55	85	35	2.00	<b>10.52</b>
10B-1/27	136.75	20	55	85	35	2.05	<b>12.81</b>
10B-1/28	141.78	20	55	90	35	2.27	<b>13.01</b>
10B-1/29	14683	20	55	90	35	2.35	<b>14.15</b>
10B-1/30	151.87	20	58	90	35	2.42	<b>15.01</b>
10B-1/31	156.92	20	58	95	35	2.66	<b>15.77</b>
10B-1/32	161.95	20	58	95	35	2.74	<b>16.65</b>
10B-1/33	167.00	20	58	95	35	2.80	<b>17.53</b>
10B-1/34	172.05	20	58	95	35	2.90	<b>18.52</b>
10B-1/35	177.10	20	58	95	35	3.03	<b>19.58</b>
10B-1/36	182.15	20	63	100	35	3.27	<b>21.32</b>
10B-1/37	187.20	20	63	100	35	3.39	<b>22.37</b>
10B-1/38	192.24	20	63	100	35	3.49	<b>23.39</b>
10B-1/39	197.29	20	63	100	35	3.58	<b>24.6</b>

10B-1/40	202.34	20	63	100	35	3.69	<b>25.87</b>
10B-1/41	207.39	20	57	100	40	3.78	<b>27.17</b>
10B-1/42	212.44	20	57	100	40	3.87	<b>28.34</b>
10B-1/43	217.49	20	57	100	40	3.96	<b>29.81</b>
10B-1/44	222.53	20	57	100	40	4.05	<b>31.15</b>
10B-1/45	227.58	20	55	100	40	4.18	<b>32.14</b>
10B-1/46	232.63	20	64	100	40	4.34	<b>33.55</b>
10B-1/47	237.69	20	64	100	40	4.50	<b>34.76</b>
10B-1/48	242.73	20	64	100	40	4.66	<b>35.95</b>
10B-1/49	247.78	20	64	100	40	4.82	<b>37.41</b>
10B-1/50							38.85
10B-1/51							40.91
10B-1/52							42.66
10B-1/53							44.42
10B-1/54							46.16
10B-1/55							47.92
10B-1/56							49.68
10B-1/57							51.13
10B-1/58							52.6
10B-1/59							54.05
10B-1/60							55.51
10B-1/70							64.28
10B-1/72							70.11
10B-1/76							80.63
10B-1/80							90.57
10B-1/84							101.09
10B-1/95							126.81
10B-1/96							135.56

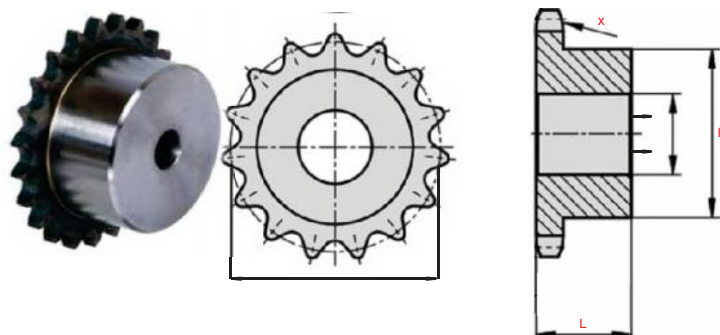


12B-1		3/4" (19,05mm)							
broj zuba	PD (mrd min (mrd max (mm)	H (mm)	L (mm)	masa (kg)	jednoredni eur/kom				
12B-1/08	49.78	12	16	31	30	0.22	3.74	4.488	
12B-1/09	55.70	12	20	37	30	0.31	3.74	4.488	
12B-1/10	61.64	12	23	42	30	0.39	4.03	4.836	
12B-1/11	67.61	14	28	46	35	0.54	4.60	5.52	
12B-1/12	73.60	14	32	52	35	0.68	5.46	6.552	
12B-1/13	79.59	14	36	58	35	0.84	6.31	7.572	
12B-1/14	85.61	14	40	64	35	1.01	7.19	8.628	
12B-1/15	91.63	14	44	70	35	1.19	8.10	9.72	
12B-1/16	97.65	16	48	75	35	1.36	9.20	11.04	
12B-1/17	103.67	16	55	80	35	1.56	10.19	12.228	
12B-1/18	109.71	16	55	80	35	1.73	11.00	13.2	
12B-1/19	115.75	16	55	80	35	1.73	12.12	14.544	
12B-1/20	121.78	16	55	80	35	1.83	13.11	15.732	
12B-1/21	127.82	20	55	90	40	2.37	14.00	16.8	
12B-1/22	133.86	20	55	90	40	2.48	14.83	17.796	
12B-1/23	139.90	20	55	90	40	2.58	15.00	18	
12B-1/24	145.94	20	55	90	40	2.70	16.00	19.2	
12B-1/25	152.00	20	55	90	40	2.81	17.00	20.4	





12B-1/84	217.25	260.7
12B-1/95	268.97	322.764
12B-1/96	274.14	328.968



16B-1 1" 2,54mm								
broj zuba	PD (mr d min (ndrmax (mm)		H (mm)	L (mm)	masa (kg)	jednoredni eur/kom		
16B-1/08	66.37	16	22	42	35	0.50	5.70	6.84
16B-1/09	74.27	16	28	50	35	0.68	6.20	7.44
16B-1/10	82.19	16	34	55	35	0.87	7.00	8.4
16B-1/11	90.14	16	38	61	40	1.18	8.14	9.768
16B-1/12	98.14	16	44	69	40	1.48	10.05	12.06
16B-1/13	106.12	16	48	78	40	1.82	11.81	14.172
16B-1/14	114.15	16	53	84	40	2.14	13.18	15.816
16B-1/15	122.17	16	58	92	40	2.52	14.50	17.4
16B-1/16	130.20	20	64	100	45	3.19	16.50	19.8
16B-1/17	138.22	20	70	100	45	3.41	18.57	22.284
16B-1/18	146.28	20	70	100	45	3.62	20.35	24.42



16B-1/60

212.65

255.18